

The Design for the Teaching Aid in English Class Based on Solidwork

Wan Yi

School of Foreign Languages
Northeast Petroleum University
Daqing PR China
e-mail: Wanyi331@126.com

Xiuling Ren

School of Mechanical Science and Engineering
Northeast Petroleum University
Daqing PR China
e-mail: xiulingren@126.com

Abstract—The teaching aid in English class was designed based on SolidWorks2010. The processing for generation of teaching aid is discussed, and the distribution of the stress, strain and displacement is investigated with different load. The results indicate that the node number of the teaching aid is approximately 28120, and the grid unit number is 18035. When the load of the teaching aid is 10 N and 20 N, respectively, the max stress is 2.995 N/mm² and 5.990N/mm². The max strain is about 1.637×10⁻⁵ and 3.274×10⁻⁵. And the max displacement is approximately 0.06 mm and 0.1 mm.

Keywords- teaching aid; English class; design; SolidWorks

I. INTRODUCTION

There are many cards or pictures in the process of the English teaching. The cards or pictures are usually used to illustrate various regulations for college students in English class. However, there are some troubles such as tedious find, wasting time, and large amount of labor in the process of using the card. Therefore, the teaching aid in English class is needed to design in the process of English teaching [1-3].

Solidworks software is a computer aided 3D drawing tool, which developed by Solidworks Company in 1993. It has many advantages in creation of 3D model, such as grasping and using easily, system opening, etc. Solidworks software has used by many domains, such as mechanics, architect, electronics engineers, civil engineering, and light industry [4-7]. In this paper, the teaching aid in English class was designed based on SolidWorks2010. The processing for generation of teaching aid is discussed, and the distribution of the stress, strain and displacement is investigated with different load.

II. SOLIDWOEKS SOFTWARE

In recent years, Solidworks software is the mainstream drawing software for the design of products, and it can reveal the size, shape and position in three-dimensional space. Solidworks not only can establish the parts of the 3D model, but also has the automatic generation of the assembly. Therefore, Solidworks software is often used in mechanical design, manufacturing, aerospace, chemical and other fields. The characteristics of Solidworks software are listed as following:

1) *SolidWorks has an assembly, which composed of parts:*

In the assembly, it is often necessary to have additional parts or sub-systems that are not eventually used in the final

system, for example (in terms of a suspension prototype): a wire jig; an extra mass; an angled blade clamp.

2) *SolidWorks has a number of default settings to each of the columns in the BOM:*

In the case of the Item number it will automatically choose an item number depending on the order that parts are entered into an assembly.

3) *SolidWorks is easy to learn and use for consumers:*

The icon design of SolidWorks is simple and straightforward, and the help file describes in detail the software operation and use. Other 3D CAD software usually takes three months for generating the drawings, while the SolidWorks software need only two weeks.

4) *SolidWorks software has successfully dealt with the existence of the multiple correlations in the process of drawing, and it makes the design process simply and accurately.*

The operation of SolidWorks is very simple and convenient, and the flow chart for designing the teaching aid can be described in Figure 1. Figure 1 shows that the design of the teaching aid mainly includes the design 3D outline, 3D model building, finite element analysis, and output the results. In this paper, we focus on the 3D model building and finite element analysis.

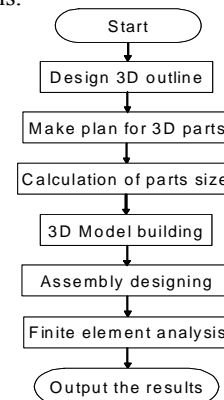


Figure 1. Flow chart for designing the teaching aid

III. DESIGN 3D MODEL

A. Material and Load

The material for the teaching aid is very important in the process of design. In order to carry convenient, the

aluminum alloy 1060 was applied as the teaching aid material. The material properties are shown in Table I.

TABLE I. THE PREPERTIES OF ALUMINUM ALLOY

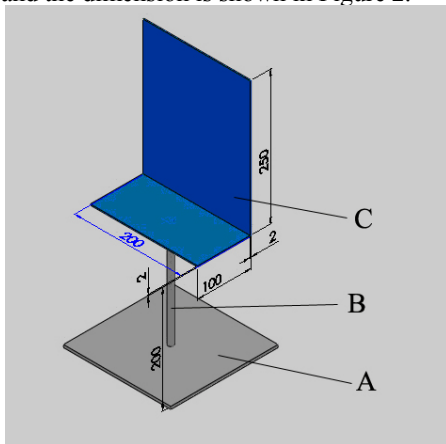
No.	Item	Parameters
1	Modulus of elasticity	6.9E10 N/m ²
2	Density	2700 kg/m ³
3	Yield strength	27574200 N/m ²
4	Coefficient of thermal expansion	2.4E-5 /K
5	Thermal conductivity	200 W/(m·K)
6	Specific heat	900 J/(kg·K)

The load of the teaching aid is relatively small, the normal load of the teaching aid is almost 10 N, and the max load is approximately 20 N. The dimension of the cards used in English class is about 220×180×80 mm.

B. 3D Model

According to the load and the dimension parameters, the teaching aid is designed, and the 3D model of the teaching aid is shown in Figure 2.

The teaching aid is composed of the foundation, support bar and bracket. The foundation with dimension of 200×200×5 mm is used for fixing and supporting the teaching aid. The support bar with dimension of Φ10×200 mm is applied for supporting the bracket. The bracket has the “T” type structure, the cards are laid on the surface of the bracket, and the dimension is shown in Figure 2.



(A) Foundation, (B) Support bar, (C) Bracket

Figure 2. 3D model of the teaching aid

IV. RESULT AND ANALYSIS

A. Grid Division

The 3D model of the teaching aid is input in SolidWorks2010, and the simulation is used for grid division of the teaching aid. The result is shown in Figure 3.

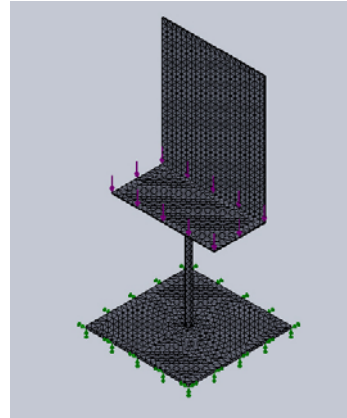
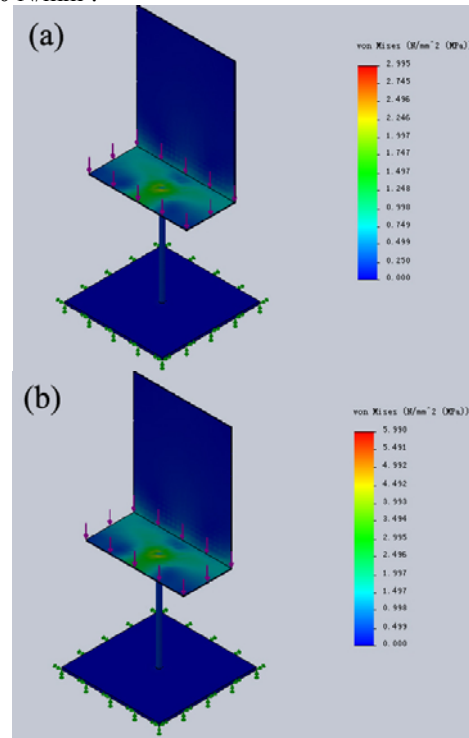


Figure 3. Grid division of the teaching aid

Figure 3 illuminates that the node number of the teaching aid is approximately 28120, and the grid unit number is 18035.

B. Stress Analysis

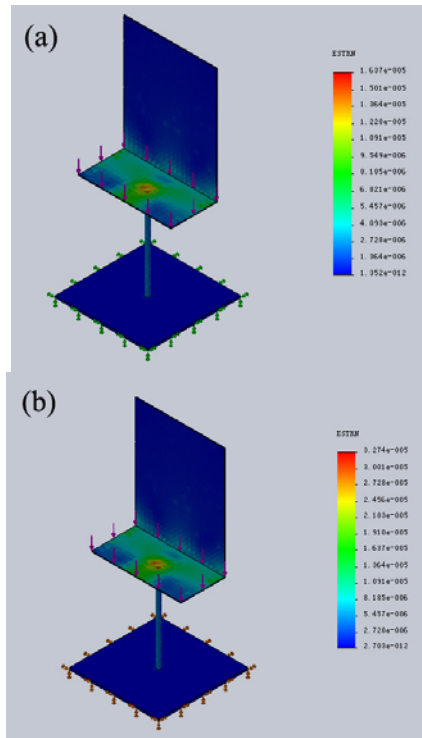
Figure 4 illuminates that the stress distribution of the teaching aid with different load. Figure 4(a) and (b) show the load is 10 N and 20 N, respectively. When the load of the teaching aid is 10 N, the max stress is 2.995 N/mm². While the load of the teaching aid reaches 20 N, the max stress is 5.990 N/mm².



(a) Load: 10 N, (b) Load: 20 N

Figure 4. The stress distribution of the teaching aid

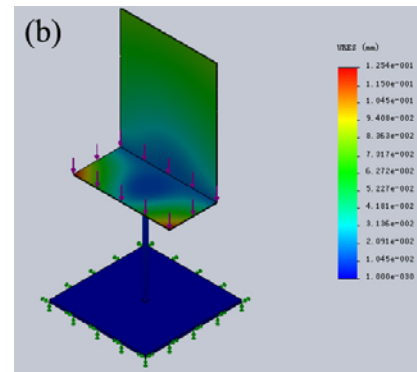
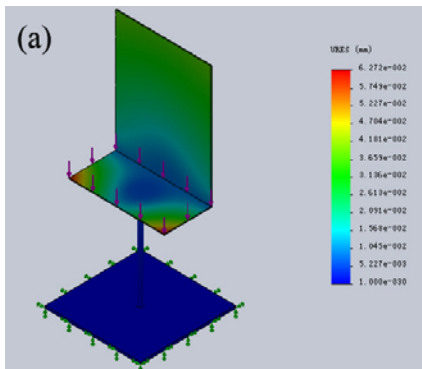
C. Strain Analysis



(a) Load: 10 N, (b) Load: 20 N
Figure 5. The strain distribution of the teaching aid

Figure 5 shows that the strain distribution of the teaching aid with different load. Figure 5(a) and (b) display the load is 10 N and 20 N, respectively. When the load of the teaching aid is 10 N, the max strain is about 1.637×10^{-5} . While the load of the teaching aid reaches 20 N, the max strain is approximately 3.274×10^{-5} .

D. Displacement Analysis



(a) Load: 10 N, (b) Load: 20 N
Figure 6. The displacement distribution of the teaching aid

Figure 6 explains that the displacement distribution of the teaching aid with different load. Figure 6(a) and (b) display the load is 10 N and 20 N, respectively. When the load of the teaching aid is 10 N, the max displacement is about 0.06 mm. While the load of the teaching aid reaches 20 N, the max displacement is approximately 0.1 mm.

V. CONCLUSIONS

The teaching aid in English class was designed based on SolidWorks2010. The results indicate that the node number of the teaching aid is approximately 28120, and the grid unit number is 18035. When the load of the teaching aid is 10 N and 20 N, respectively, the max stress is 2.995 N/mm^2 and 5.990 N/mm^2 . The max strain is about 1.637×10^{-5} and 3.274×10^{-5} . And the max displacement is approximately 0.06 mm and 0.1 mm.

REFERENCES

- [1] H. H. Gan, Y. H., "Causal knowledge representation and nonmonotonic reasoning models in English consultant systems," Computer Science, vol. 28, 2001, pp. 53-55.
- [2] X. B. Zhu, Q. Lin, "Evolution differences of sources of SMEs clusters competitive advantage: the case study of the weave cluster of Shaoxing in Zhejiang Province," Management World, vol. 187, 2008, pp. 75-86.
- [3] I. S. Jacobs and C. P. Bean, "Fine particles, thin films and exchange anisotropy," in Magnetism, vol. III, G. T. Rado and H. Suhl, Eds. New York: Academic, 1963, pp. 271-350.
- [4] Y. H. Zhang, S. F. Yao, "A Rapid 3D modeling method to draw involute gear based on the ACD software of Solidworks and CAXA," Journal of shanxi university of science and technology, vol. 26, 2008, pp. 126-129.
- [5] W.C. Lee, H. Ma, B.W. Cheng, "A heuristic for nesting problems of irregular shapes", Comput Aided Des, vol.40, 2008, pp. 625-633.
- [6] L. G. Wang, Z. J. Ma, Y. B. Jing, "Technology of the three dimensional numerical simulation with complex geological model based on the block model," Ming and metallurgical engineering, vol. 28, 2008, pp. 1-4.
- [7] [2] G. Liu, R. Bai, L. Cao, "Establishment and Application of Surface Mine 3D Geological Model based on Multi DEM." Coal Engineering, vol. 382,2010, pp.73-77.